

M4 Back Blow Air Nozzle



Model 1004SS M4 x 0.5
Material: Type 316 Stainless Steel

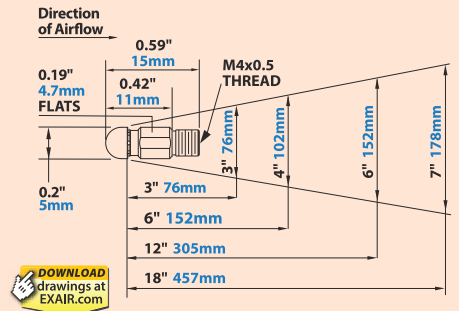
Model 1004SS Back Blow Air Nozzle

EXAIR's M4 Back Blow Air Nozzle delivers the smallest, most effective airflow for cleaning out small diameter tubes, pipes, channels or holes. Its forceful airflow can be used on diameters as small as 1/4" (6.3mm) and up to 1" (25.4mm). Extensions for reaching farther into a pipe, tube, hose, channel or hole are available.

Model	Air Consumption		Sound Level*	Use With:
	SCFM	SLPM	dBA	Inside Diameters
1004SS	4.5	127	75	1/4" - 1" (6.3-25.4mm)

* Sound level measured at 3' (914mm).
 All measurements taken at 80 PSIG (5.5 BAR).

Dimensions and Airflow Pattern



DOWNLOAD drawings at EXAIR.com

Air Nozzles & Jets

1/4 NPT Back Blow Air Nozzle



Model 1006SS 1/4 NPT female
Material: Type 316 Stainless Steel

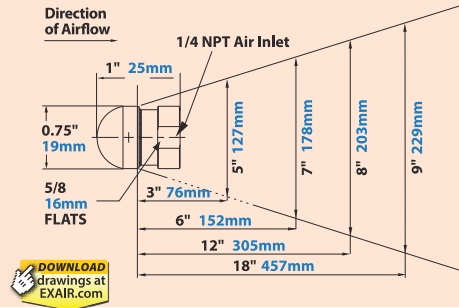
Model 1006SS Back Blow Air Nozzle

The 1/4 NPT Back Blow Air Nozzle delivers high performance suitable for a wide range of diameters. Recommended diameter range is 7/8" - 4" (22-102mm). A large variety of extensions for reaching farther into a pipe, tube, hose, channel or hole are available.

Model	Air Consumption		Sound Level*	Use With:
	SCFM	SLPM	dBA	Inside Diameters
1006SS	22	622	80	7/8" - 4" (22-102mm)

* Sound level measured at 3' (914mm).
 All measurements taken at 80 PSIG (5.5 BAR).

Dimensions and Airflow Pattern



DOWNLOAD drawings at EXAIR.com



1 NPT Back Blow Air Nozzle



Model 1008SS 1 NPT female
Material: Type 316 Stainless Steel

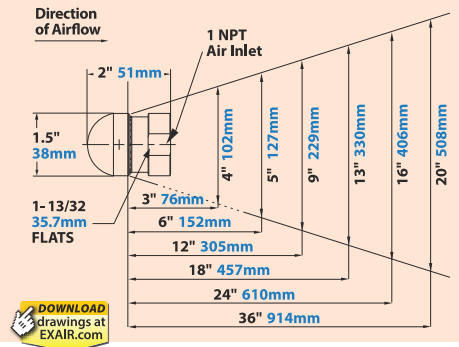
Model 1008SS Back Blow Air Nozzle

EXAIR's largest Back Blow Air Nozzle produces the greatest force for stubborn, sticky materials which may be inside of pipes, tubes, channels or holes. It is capable of reaching into diameters from 2" - 16" (51-406mm) so it can handle small and large diameters. Extensions are available.

Model	Air Consumption		Sound Level*	Use With:
	SCFM	SLPM	dBA	Inside Diameters
1008SS	57	1,614	89	2" - 16" (51-406mm)

* Sound level measured at 3' (914mm).
 All measurements taken at 80 PSIG (5.5 BAR).

Dimensions and Airflow Pattern



DOWNLOAD drawings at EXAIR.com



Chip Shields should be used to protect operators from debris. A Model 901650 Chip Shield is for M4 x 0.5 extensions and a Model 901222 is available for 1/4 NPT extensions.

Aluminum Extension Pipe

Extensions provide the necessary reach to clean out your pipe, tube, hose or channel. Available up to 72" (1829mm) long.

Model	Description
9492	6" (152mm) Aluminum, M4 x 0.5
9493	12" (305mm) Aluminum, M4 x 0.5
9495	24" (610mm) Aluminum, M4 x 0.5
9497	36" (914mm) Aluminum, M4 x 0.5
9188	12" (305mm) Aluminum, 1/4 NPT
9189	18" (457mm) Aluminum, 1/4 NPT
9190	24" (610mm) Aluminum, 1/4 NPT
9191	36" (914mm) Aluminum, 1/4 NPT
9192	48" (1219mm) Aluminum, 1/4 NPT
9193	60" (1524mm) Aluminum, 1/4 NPT
9194	72" (1829mm) Aluminum, 1/4 NPT
900353	12" (305mm) Aluminum, 1 NPT
901254	36" (914mm) Aluminum, 1 NPT
901259	72" (1829mm) Aluminum, 1 NPT



A Back Blow Air Nozzle cleans chips and coolant from inside a machined pipe.