



# Super Air Nozzle Clusters



## Super Air Nozzle Clusters



**Model 1111-4** 3/8 NPT female

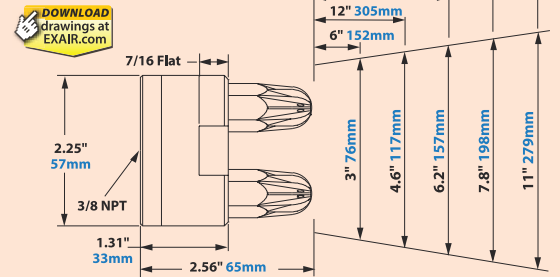
**Material:** Nozzles - Zinc Aluminum alloy  
Body - Aluminum

### Model 1111-4 Super Air Nozzle Cluster

| Air Consumption |       | Force* |      | Sound Level |
|-----------------|-------|--------|------|-------------|
| SCFM            | SLPM  | Lbs    | Kg   | dBA         |
| 56              | 1,585 | 3.2    | 1.45 | 82          |

\* Force measured at 12" (305mm) from target.  
Sound level measured at 3' (914mm).  
All measurements taken at 80 PSIG (5.5 BAR).

### Dimensions and Airflow Pattern



Air Nozzles & Jets



**Model 1111-7** 1/2 NPT female

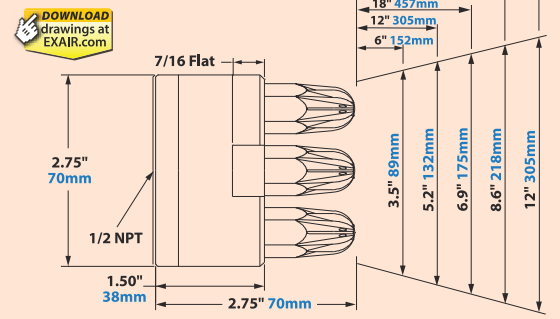
**Material:** Nozzles - Zinc Aluminum alloy  
Body - Aluminum

### Model 1111-7 Super Air Nozzle Cluster

| Air Consumption |       | Force* |      | Sound Level |
|-----------------|-------|--------|------|-------------|
| SCFM            | SLPM  | Lbs    | Kg   | dBA         |
| 98              | 2,773 | 5.7    | 2.59 | 85          |

\* Force measured at 12" (305mm) from target.  
Sound level measured at 3' (914mm).  
All measurements taken at 80 PSIG (5.5 BAR).

### Dimensions and Airflow Pattern



**Model 1111-12** 1 NPT female

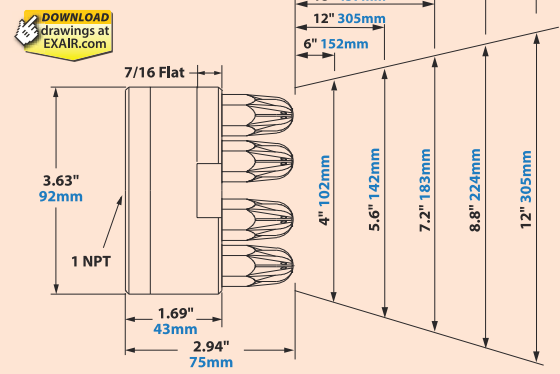
**Material:** Nozzles - Zinc Aluminum alloy  
Body - Aluminum

### Model 1111-12 Super Air Nozzle Cluster

| Air Consumption |       | Force* |      | Sound Level |
|-----------------|-------|--------|------|-------------|
| SCFM            | SLPM  | Lbs    | Kg   | dBA         |
| 168             | 4,754 | 9.8    | 4.45 | 89          |

\* Force measured at 12" (305mm) from target.  
Sound level measured at 3' (914mm).  
All measurements taken at 80 PSIG (5.5 BAR).

### Dimensions and Airflow Pattern



## Flexible Stay Set Hoses™

### Adding Flexibility

For applications where frequent repositioning of the standard force Air Nozzles or Jets is required, the Flexible Stay Set Hoses™ are ideal. Simply mount the hose in close proximity to the application and bend it to aim the airstream at the target. Since the hose has "memory", it will not creep or bend. It always keeps the aim until physically moved to the next position.

Two versions of the Stay Set Hoses are available in a variety of lengths. The 1/4 MNPT x 1/4 MNPT hose has a 1/4 NPT male fitting on each end and the 1/4 MNPT x 1/8 FNPT hose has a 1/4 NPT male fitting on one end and 1/8 NPT female fitting on the other.



Flexible Stay Set Hoses bend and keep their aim until physically moved.



11510 Goldcoast Drive • Cincinnati, OH 45249-1621 • Phone (513) 671-3322  
FAX (513) 671-3363 • E-mail: techhelp@exair.com • www.exair.com

