

NEMA 4 (IP66) Cabinet Cooler Systems

	120V Thermostat Control Model#	ETC 120V Thermostat Control Model#	ETC 240V Thermostat Control Model#	High Temp Thermostat Control Model#	Non-Hazardous Purge Thermostat Control Model#	Capacity*		Sound level dBA
						Btu/Hr	Watts	
NEMA 4 (IP66) (Splash Resistant)	4804	4804-ETC120	4804-ETC240	N/A	NHP4804	275	80	59**
	4808	4808-ETC120	4808-ETC240	N/A	NHP4808	550	162	67**
	4815	4815-ETC120	4815-ETC240	HT4815	NHP4815	1,000	293	73
	4825	4825-ETC120	4825-ETC240	HT4825	NHP4825	1,700	498	80
	4830	4830-ETC120	4830-ETC240	HT4830	NHP4830	2,000	586	80
	4840	4840-ETC120	4840-ETC240	HT4840	NHP4840	2,800	821	82
	4850	4850-ETC120	4850-ETC240	HT4850	NHP4850	3,400	997	84
	4860	4860-ETC120	4860-ETC240	HT4860	NHP4860	4,000	1,171	84
	4870	4870-ETC120	4870-ETC240	HT4870	NHP4870	4,800	1,406	84
4880	4880-ETC120	4880-ETC240	HT4880	NHP4880	5,600	1,641	85	

	Cabinet Cooler Only Model#	Continuous Operation Model#	High Temp Continuous Operation Model#	Capacity*		Sound level dBA
				Btu/Hr	Watts	
NEMA 4 (IP66) (Splash Resistant)	4604	4704	N/A	275	80	59**
	4608	4708	N/A	550	162	67**
	4615	4715	HT4715	1,000	293	73
	4625	4725	HT4725	1,700	498	80
	4630	4730	HT4730	2,000	586	80
	4640	4740	HT4740	2,800	821	82
	N/A	4750	HT4750	3,400	997	84
	N/A	4760	HT4760	4,000	1,171	84
	N/A	4770	HT4770	4,800	1,406	84
	N/A	4780	HT4780	5,600	1,641	85

*Cooling capacity at 100 PSIG (6.9 BAR) supply pressure. **With optional cold muffler installed.

NEMA 4 (IP66) Cabinet Cooler systems are dust and oil tight, splash resistant and indoor/outdoor capable. By incorporating a low pressure valve for all air exhaust, the valve closes and seals when not operating to maintain NEMA 4 enclosure integrity.

Thermostat control systems (Models 4804-4880) are the most efficient system because it will turn itself on and off as needed to cool your enclosure. Includes cooler, solenoid valve and thermostat, filter separator and cold air distribution kit. Models are available in 120VAC, 240VAC and 24VDC.

Continuous operation systems (Models 4704-4780) include the cooler, a filter separator and cold air distribution kit.

ETC Thermostat control systems provide on the fly temperature adjustment and display internal temperature in real time.

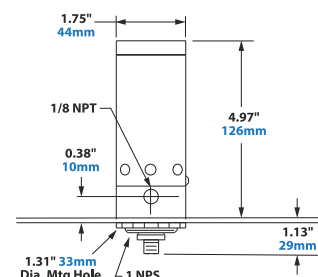
High Temperature Cabinet Cooler systems should be used when ambient temperatures reach 125°F to 200°F (52°C to 93°C).

Non-Hazardous Purge (NHP) models provide a continuous positive purge within the enclosure to prevent contaminants from entering. They are suited for extremely dirty and dusty environments.

Dual Cabinet Cooler systems (Models ##50-##80) provide for additional cooling.

Dimensions

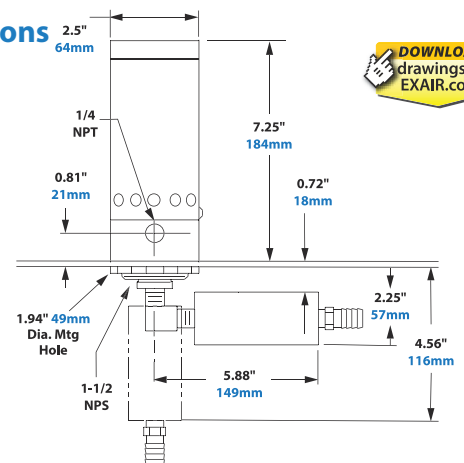
Model #'s NEMA 4 (IP66)
4604
4608
4704
4708
4804
4808



DOWNLOAD drawings at EXAIR.com

Dimensions

Model #'s NEMA 4 (IP66)
4615
4625
4630
4640
4715
4725
4730
4740
4815
4825
4830
4840



DOWNLOAD drawings at EXAIR.com